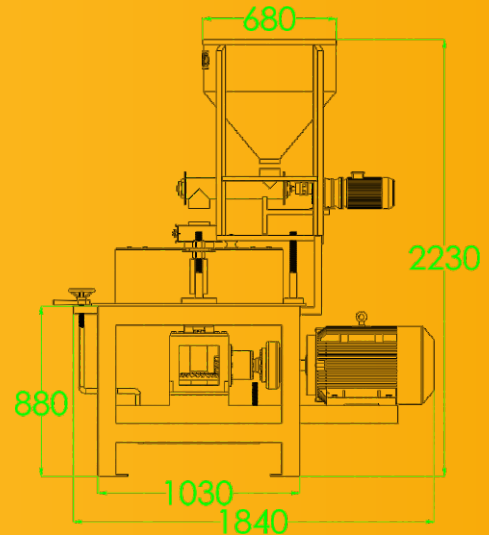


Key Features

- Conical Hopper, Screw Feeder, Geared motor and Grain level Sensor and Alarm with VFD controller Control Panel (for Grain feeder)
- Heavy duty Spiral Bevel Gear Suitable for above mill 90 degree input 25 HP 960 RPM 1:2.2 ratio
- Heavy duty long frame- 1 Meter Base height With Emery Stones
- Glass with integrated magnet
- Double Bearing - No. 6312
- Lower Bearing SKF No. 6209,
- Supplied with Bharat Bijlee make 25 HP 960 RPM Motor*
- Hydraulic Pressure System
- 20% Power Saving
- Available in 24", 30" & 48" Emery Stones



Manufactures & Exporters

SHRI VISHVAKARMA
(EMERY STONES) INDUSTRIES PVT. LTD.

Regd. Office Unit I : Vishvakarma Nagar, P.O. Saradhana - 305206 Dist. Ajmer (Rajasthan).INDIA Ph.: +91-145-2782228, 2782231

Unit II : Arjunpura - Khalsa, Distt. Ajmer (Raj.) Ph. : +91-80031 98247

City office : Choyal Tower 1180/28, Shalimar Colony, Adarsh Nagar, Nasirabad Road, Ajmer (Rajasthan) - 305002

E-Mail : info@choyal.com, Website: www.choyal.com,

Atta EXPERT



Numbers, type of items shown in the picture may differ or may not be the part of standard equipment depending upon the specification, requirement, situation, model no. and need of R&D. All specifications are approximate and are not binding to details. We reserve rights to amend and alter without notice.