

MINI RICE & GRAM FLOUR PLANT With Milling Machine



Innovative Grinding Solutions

ALSO SUITABLE FOR

WHEAT, CORN, SORGHUM, RICE, MILLET, BARLEY & GRAM FLOUR

Now
Mini Rice & Gram Flour Mill Plant
At a Finger TOUCH!



- Modern Milling Section
- Advance Sifting System
- Digital Flour Mill

WONDER Mill
WONDER Miller



MINI RICE & GRAM FLOUR PLANT With Milling Machine

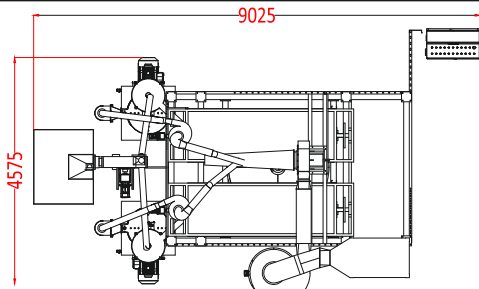


PRODUCT SPECIFICATION

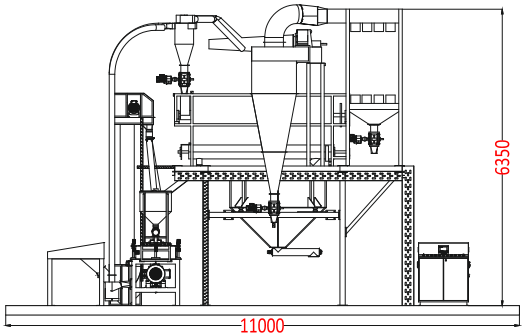
- Complete turnkey solution
- Fitted with bharaat bijlee motors and pbgl geared motors
- Supplied with vibro sifter and accessories
- Very low at maintenance
- P.U. Painted machines
- Control panel, cables and electricals
- Erection and commissioning of machines
- Choyal chakkies & emery stones are considered Heavy duty among the industry
- Operational training at our works
- Power efficient
- Service and spares back up
- Operation consultancy
- Choyal brand
- Worth for the price and value for the money
- World leading branded products and services



TECHNICAL SPECIFICATION



TOP VIEW



FRONT VIEW



750mm chakki



Electricals & controls



Bag Filter



Elevator



Centrifugal



Storage bin

Grinding capacity	700kg to 1000 kg/hour
Plant size	30'X 15'X 21'
Height required	21'E.height
Power load	70 HP
Manpower required	2 to 4

Manufacturers & Exporters

SHRI VISHVAKARMA
(EMERY STONES) INDUSTRIES PVT. LTD.

Regd. Office & Unit I : Vishvakarma Nagar, P.O. Saradhana- 305206
Unit II : Arjunpura - Khalsa, Distti. AJMER (Rajasthan) INDIA
Ph: +91-145-2782228,2782231 | Website: www.choyal.com
City Office : Choyal Tower, 1180/28, Shalimar Colony
Adarsh Nagar, Nasirabad Road, Ajmer
E-Mail: sgs@choyal.com, rschoyal@choyal.com
CIN No.: U14101RJ1978PTC001772



Touch



Solar energy



Energy saver



Certified



ISO 9001:2008



Wi-Fi enabled

Numbers, type of items shown in the picture may differ or may not be the part of standard equipment depending upon the specification, requirement, situation, model no. and need of R&D. All specifications are approximate and are not binding to details. We reserve rights to amend and alter without notice.